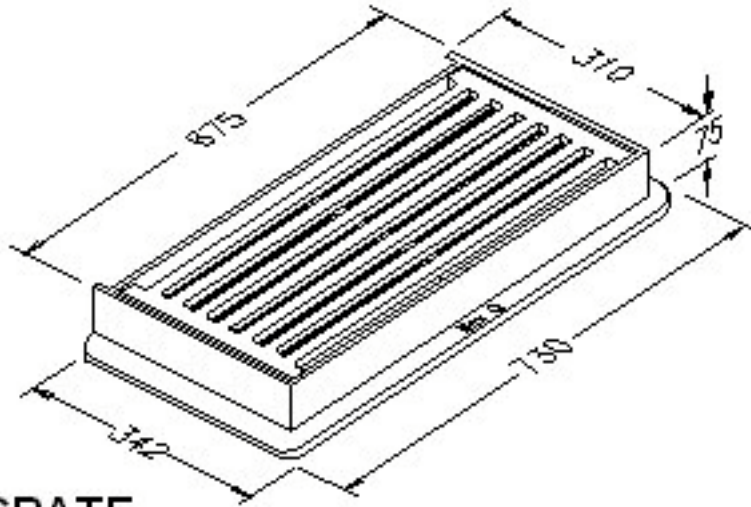


600 x 300 Grate



HAZEN GRATE
DUCTILE IRON



General description

The *Hazen* grate is used for smaller inlets, particularly at the low point of road turnouts (pictured) but wherever small neat grates are needed or will suffice.

AS 3996 Compliance

- Material and manufacturing quality.
- Class D load capacity.
- Bicycle safety
- Pedestrians – *Hazen*, 17mm slots, conservatively satisfy Clause 3.3.5 Pedestrian Safety requirements.